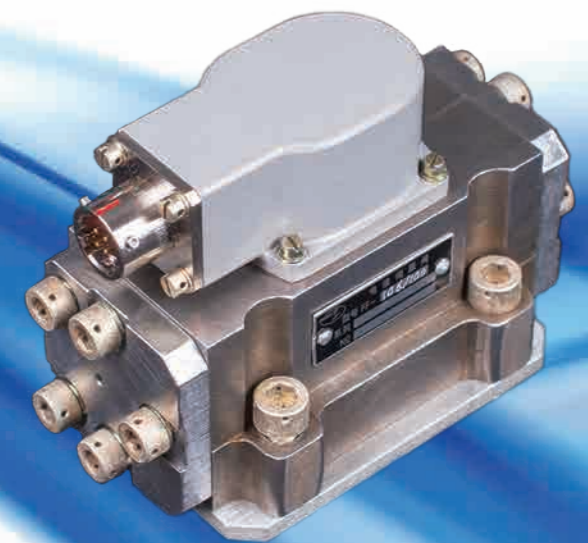




FF-106 SERIES

double nozzle flapper force feedback flow control EHSV



Add: 6 Lanhui Road, Nanjing New&Hightech Development Zone
Tel: +86 25 58055995 58055996 58055997
Fax: +86 25 58840205
Post Code: 210061
Website: www.njservo.com



609伺服阀

A V I C N A N J I N G S E R V O C O N T R O L S Y S T E M C O . , L T D

航 空 工 业 南 京 伺 服 控 制 系 统 有 限 公 司

CATALOG

INTRODUCTION	1
PRODUCT OVERVIEW	2/3
FUNCTION and ELECTRICAL DATA	4/5
TECHNICAL DATA	6/7/8/9/10/11
ORDERING INFORMATION	12
ENTERPRISE PROFILE	13

AVIC Nanjing Servo Control Systems Co.,Ltd has been manufacturing servo valves for over 50 years . FF-106 series servo valves have been widely used in both military and industrial applications,such as aviation,aerospace ,radar, metallurgy,chemical industry,manufacture,geological exploration,construction,power generation,textiles,printing and various kinds of test equipment.Now we can deliver over 10000 pieces annually.FF-106 is an affordable equivalent to Moog 35.It boasts a large share of domestic market and enjoys great reputation among users both at home and abroad.



Servo valves in this catalog are in conformity with GJB3370-1998 of China military standard for servo valves used for aviation .



Our quality management system has passed ISO 9001:2000 quality assurance standard.

Note

Please clear the whole hydraulic system before installing servo valve as per ISO 6072.
Please refer to general technical data and electrical performance.

This catalog is for users with professional knowledge.Please refer to this catalog to ensure the safety and every function of system.We reserve the right to change the specifications in this catalog before notice.Please contact AVIC Nanjing Servo Control Systems Co.,Ltd in case of any enquiry.



609 F is the trademark of former China Research Institute of Aero-Accessories (NO 609 Research Institute). AVIC Nanjing Servo Control Systems Co.,Ltd,a restructuring unit of 609,reserves the right to ownership,change.
For further information, please visit us at <http://www.njservo.com>

※ Characteristics

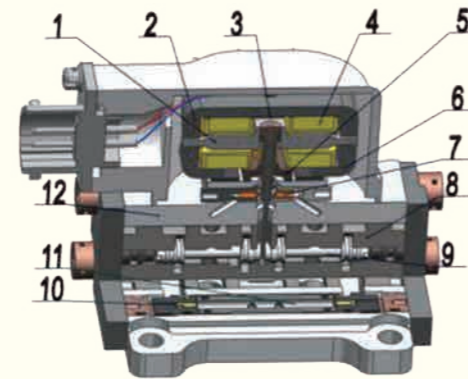
- High precision control,fast dynamic response and ease of operation.
- Stainless steel body,high structure strength;
- Compact structure,small size and light weight;
- Stable performance,high reliability and long working life;
- Low internal leakage and low power consumption;
- Low hysteresis,high threshold and high repeatability precision;
- Excellent linearity,driving force and small null shift.

※ Structure

Servo valve consists of permanent magnetic torque motor(first stage hydraulic amplifier) and power amplifier (second stage hydraulic amplifier).

Permanent magnetic torque motor consists of armature assembly (1) ,upper polepiece (2) ,2 permanent magnet (3) ,left and right coils (4) ,flexure tube (5) ,lower polepiece (6) , 2 nozzles (7) ,2 fixed orifices (10) and internal oil filter (11) .The armature assembly (1) is made up of armature,flexure tube,flapper and feedback spring.

They are connected by soldering and crimping. The armature assembly is fixed on the valve body (12) by 2 bolts. Power stage amplifier is made up of sleeve (8) and spool (9) and other parts.



※ Operation

FF-106 EHSV has a polarized torque motor,which consists of 2 permanent magnets,armature assembly, upper and lower polepiece and 2 coils.In the torque motor,two pieces of charged permanent magnets polarize polepieces, and both ends of its armature are respectively inserted into the gaps formed by upper and lower polepieces. A flexure tube is employed to play the role not only in a spring support for the armature-flapper assembly but also in a sealing between electromagnetic and hydraulic parts.The flapper of the first stage hydraulic amplifier is inserted between two nozzles,forming two variable orifices.A feedback spring extends from flapper inner and inserts its ball end in the small slot of the spool.

When electrical current input is applied to the torque motor coils,due to the interaction between controlling and permanent flux, a magnetic torque is created on the armature.This torque makes the armature-flapper assembly rotate about the flexure tube support,moving the flapper in one direction or in another direction. The moved flapper results in increasing the area of one flapper-nozzle orifice and decreasing the area of the other one,creating differential pressure in the two nozzle controlled chambers.This differential pressure moves the spool,pushing the ball end of feedback spring and creating restoring torque on the armature-flapper assembly. The spool goes on moving until the feedback torque becomes equal to the magnetic torque caused by control current input.At that time, the flapper is moved back to a nearly neutral position.As the magnetic torque is proportional to the current input. And the feedback torque is proportional to the spool position as well, therefore, the spool position is proportional to the input current while the mentioned torques are being balanced. Then,with constant valve pressure drop, valve flow output to load is proportioned to current input when rectangular holes (slots) or annular grooves are employed in the valve bushing.

Performance

Working pressure: Rated supply pressure: 21MPa Return pressure: ≤0.6MPa

Temperature and humidity: Ambient temperature: -55°C~+150°C Fluid temperature: -30°C~+100°C
Relative humidity: 10%~90%

Seal material: NBR,FPM (other materials at request)

Working fluid: Petrol based hydraulic fluid per DIN 51524 or hydraulic fluid viscosity 10~400mm²/s at 38°C as per clients.
Recommend yh-15 or yh-10 aircraft fluid .

Fluid viscosity: cSt 5~400, recommend cSt 15

System filtration: High pressure filter, mounted in the main flow without by-pass, but with dirt indicator. If possible, directly upstream of valve. For system with variable speed pump, outside system circulating filter is recommended.

Cleanliness level: for normal operation: level 8 of GJB 420B(level17/14of GB/T 14039-2002)

for longer life: NAS 1638: level4(level 15/12 of GB/T 14039-2002)

for normal operation: ISO 4406: 14/11 for longer life: ISO 4406: 13/10

Note: contamination level affects servo valve performance greatly(spool null position, resolution) and wear (metering edges, pressure gain, leakage)

Filter rating: for normal operation $\beta_{10} \geq 75$ (10μabsolute) for longer life $\beta_3 \geq 75$ (3μabsolute)

Installation: It can be installed in any position or move with system.

Vibration: 30g, (3 axis), 5Hz~2KHz

Weight: 1.2 kg

Protection plate: Included in standard delivery

Flow calculation

Valve actual flow will be decided by spool position and pressure drop between valve supply and return chambers.Under rated pressure drop $\Delta P=210\text{bar}$ (3050psi) and 100% command signal when valve spool moves furthest, valve no-load rated is defined as rated flow rated Q_N .

At non-rated pressure drop and given commander signal, valve no-load flow is proportional to square root of valve supply and return chamber.

$$Q = Q_N \sqrt{\frac{\Delta P}{\Delta P_N}}$$

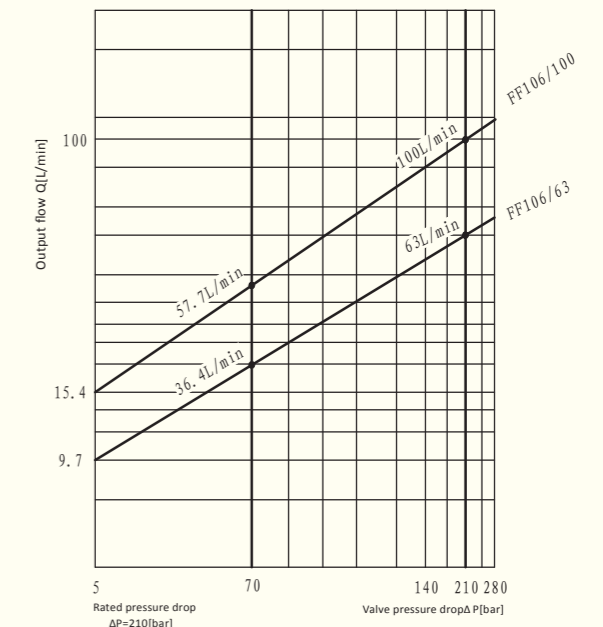
Q_N —valve rated flow rate (L/min)

ΔP —valve actual pressure drop (MPa)

ΔP_N —valve rated pressure drop (MPa)

Q —valve actual flow rate (L/min)

When the average flow rate of P,1,2 or R is less than 30m³/s(98ft³/s),valve volume flow Q can be calculated using this method.

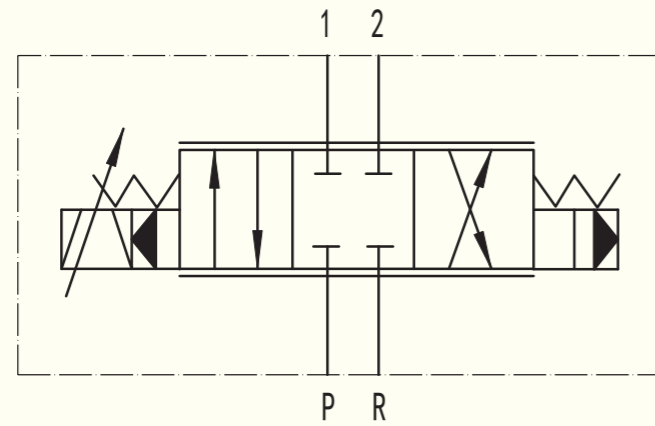


Flow Diagram

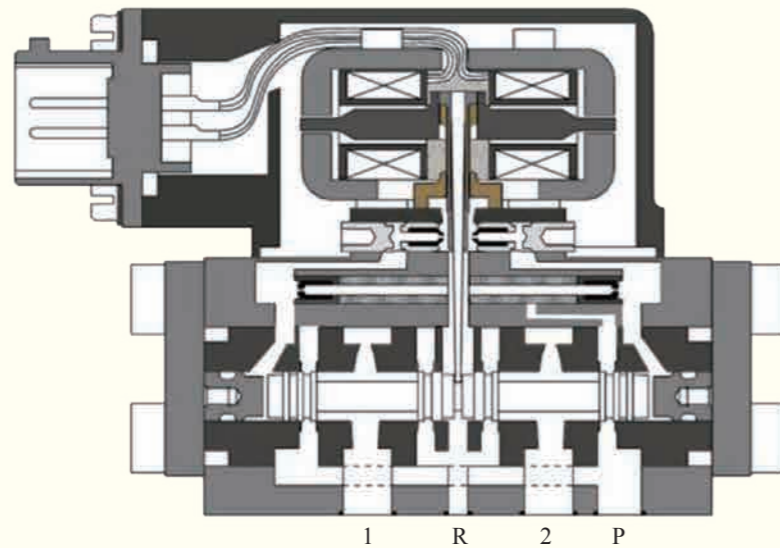
At 100% command signal, valve actual flow is linear with valve pressure drop.

Note: 70bar=1017psi.The curve demonstrates actual flow rate at different pressure drop.Users can pick up EHSV accordingly as per system supply pressure.

Hydraulic symbol

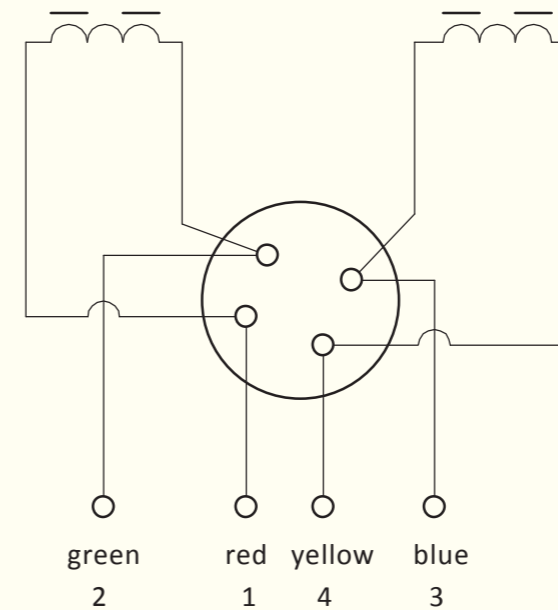


This symbol is for EHSV status with supply pressure and command signal at 0.



Note: Supply pressure port P;
Return pressure port R (T) ;
Control port 1 (A) ;
Control port 2 (B) .

Electrical connection:



Polarity: current from green+ to red-,flow outputs from port 1 ,
Polarity:current from blue+ to yellow-,flow outputs from port 2.

Rated current,coil resistance and inductance :

Resistance of each coil at 20° (Ω)	Rated current (mA)		Coil inductance approx (H)			
	Differential,parallel or individual	Series	Differential	Series	Individual	Parallel
80	40	20	0.98	2.0	0.58	0.5
200	15	7.5	2.41	5.0	1.8	1.5

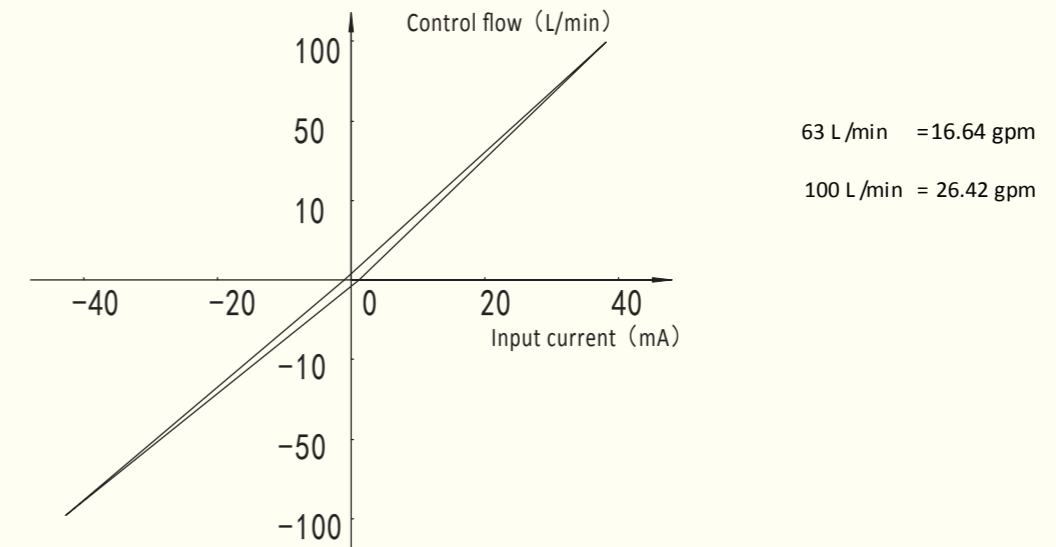
FF-106 series EHSV performance

Item	unit	FF-106	
		FF-106/63	FF-106/100
Supply pressure range	bar	20~280	
Rated supply pressure P_N	bar	210	
	psi	3050	
	MPa	21	
Rated flow Q_n	L/min	63	100
	(gpm)	16.64	26.42
Rated current I_n	mA	15	40
Coil resistance	Ω	200±20	80±8
Insulation resistance	M Ω	≥50	
Hysteresis	%	≤4	
Threshold	%	≤1	
Linearity	%	≤7.5	
Symmetry	%	≤10	
Pressure gain	%	>30	
Internal leakage	L/min	3	
	(gpm)	0.79	
Null bias	%	≤±3	
Lap	%	≤±2.5	
Null shift with supply pressure (80Ps~110%Ps)	%	≤±2	
Null shift with return pressure (0~20% Ps)	%	≤±2	
Null shift with temperature (-30~+150℃)	%	≤±4	
Frequency response	Amplitude ratio (-3dB)	≥100	≥50
	Phase lag (-90°)	≥100	≥50
Working temperature	℃	-55~+150	
Net weight	Kg	≤1.2	

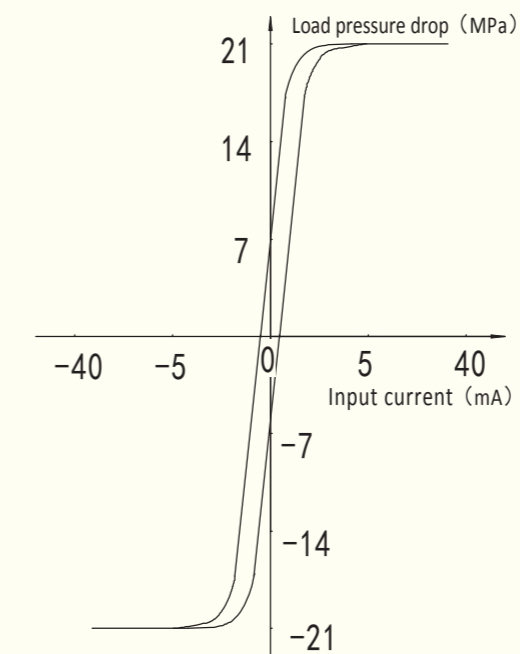
Note: FF-106 is totally interchangeable with MOOG 35 in terms of technical data and dimension. And custom design is available at request.
 1bar=14.5psi;
 1gpm=3.785L/min.

Static performance curve: It is measured at system supply pressure of 210bar (3050psi), fluid viscosity of 32mm²/s(1.26in²/s) and fluid temperature of 40°C (104°F).

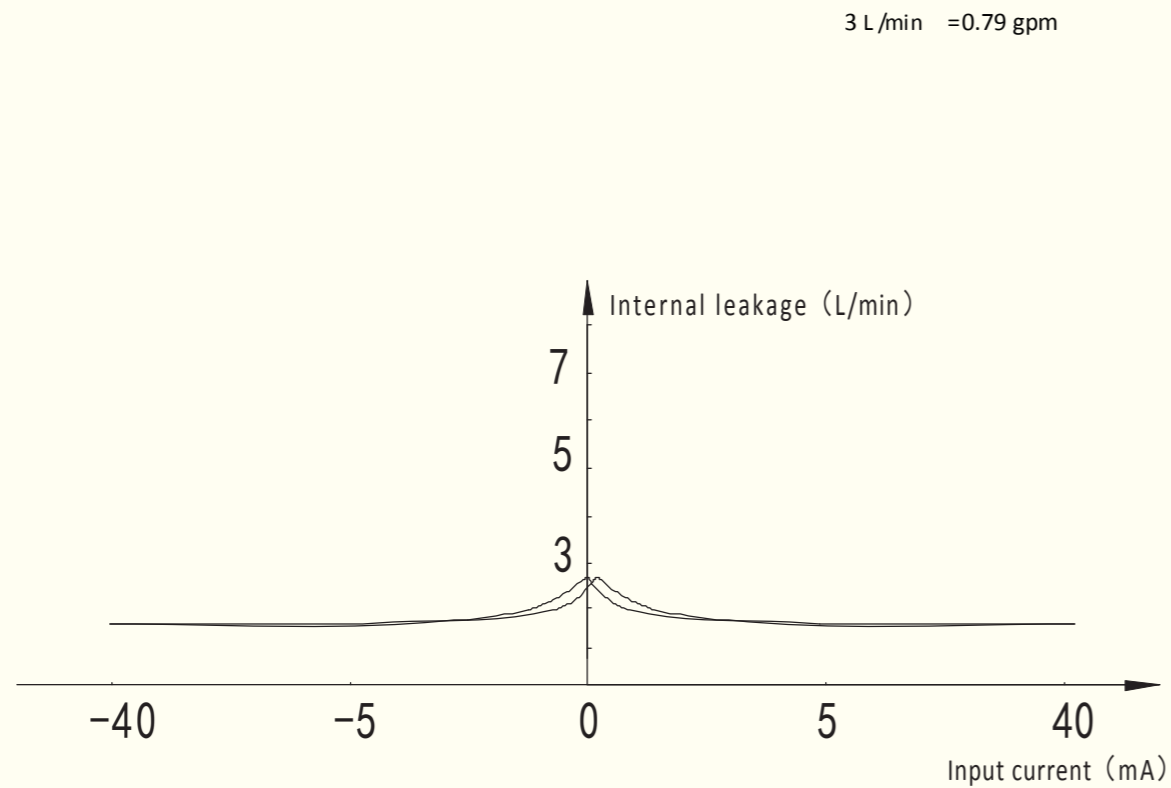
Flow characteristic curve:



Pressure performance curve:

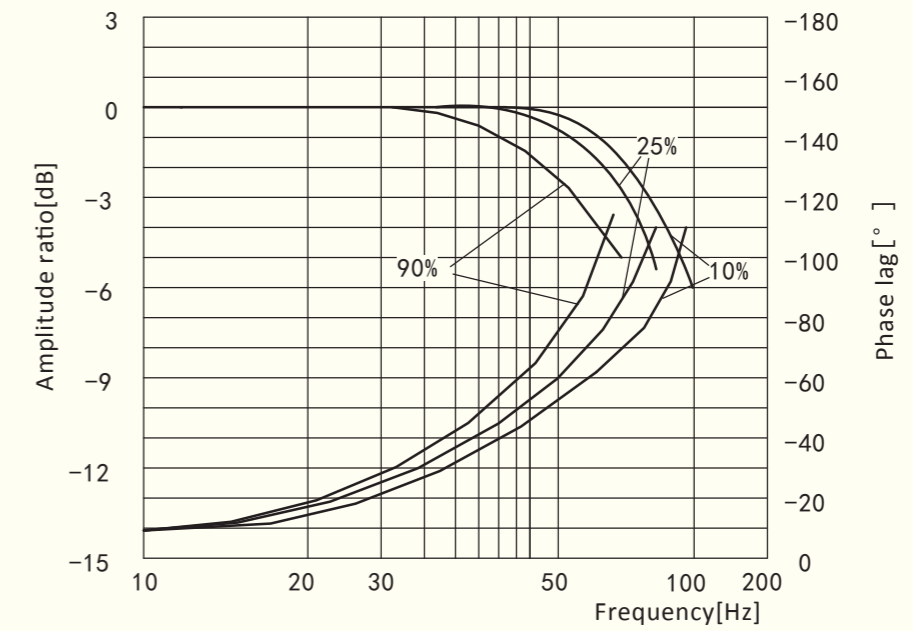


Internal leakage curve :

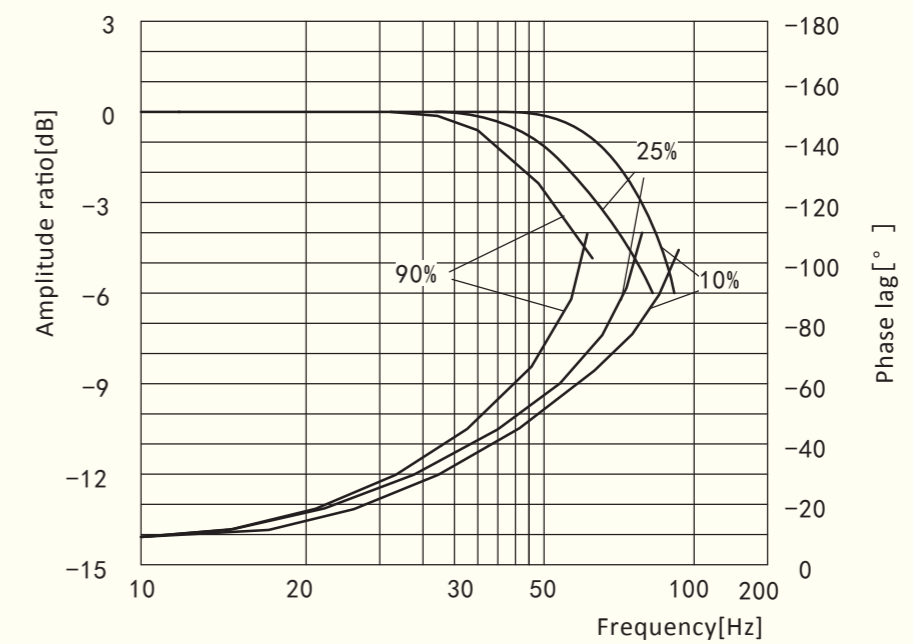


Dynamic performance curve: It is measured at system supply pressure of 210bar (3050psi), fluid viscosity of 32mm²/s(1.26in²/s) and fluid temperature of 40°C (104°F) .

Frequency response curve:

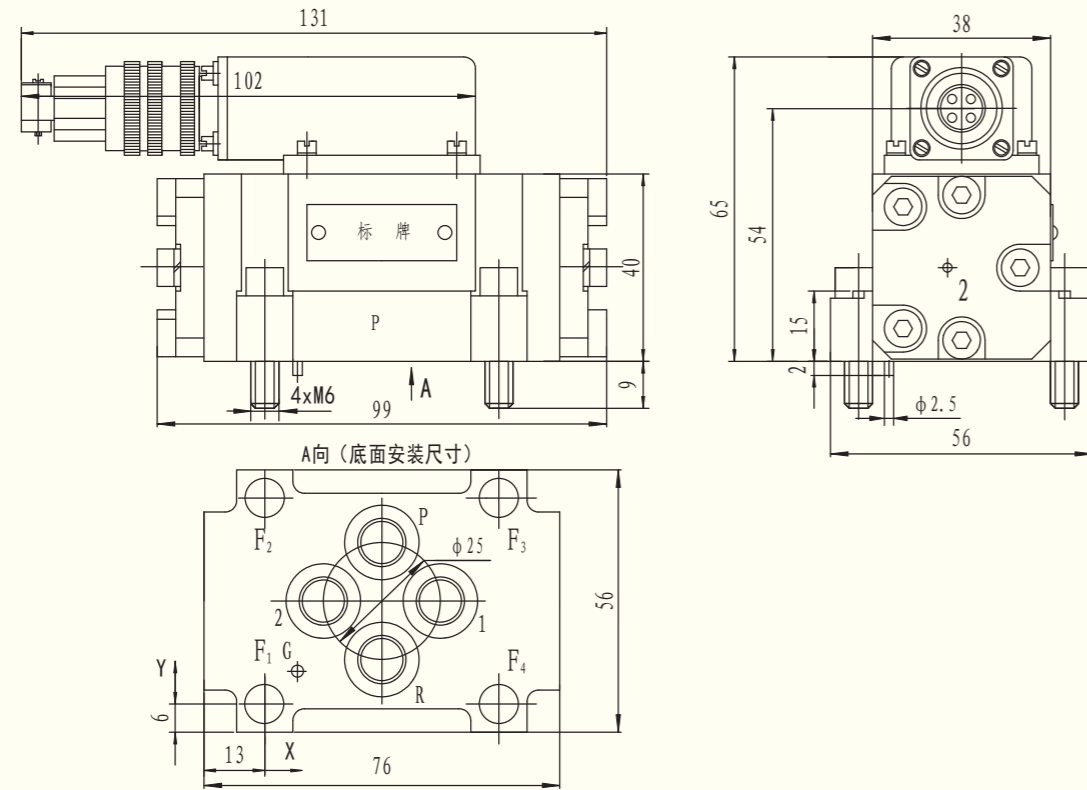


FF-106/100 frequency response at 10%、25%、90%In



FF-106/63 frequency response at 10%、25%、90%In

Installation drawing (metric system)



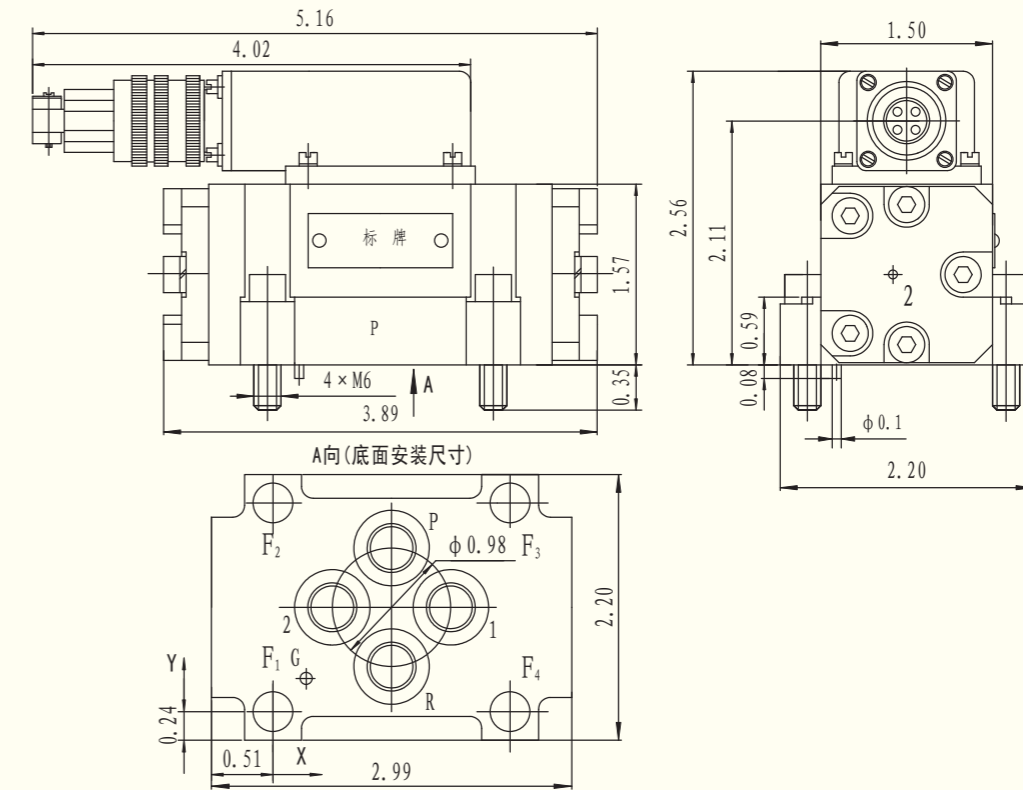
mm

	P	1	R	2	G	F1	F2	F3	F4
	Φ9	Φ9	Φ9	Φ9	Φ2.5	M6	M6	M6	M6
x	25	37.5	25	12.5	7	0	0	50	50
y	34.5	22	9.5	22	7	0	44	44	0

Spare parts and accessories

O ring (included in standard delivery)	NBR 75 Shore	FPM 75 Shore
for port P, R, 1, 2	4 pieces, ID12×Φ2	5080, 5176S F370, F275
Mating connector	It is available in XK11J4Z/ and XK11J4Z/XKE11R4Q.	
Installation bolt (included in standard delivery)	M6×24 ISO 4762-10.9 4 pieces	
Replaceable filter	for pilot stage, installed before orifice $\beta_{35} \geq 75$ (corresponding to filtration 35μm absolute)	

Installation drawing (English system)

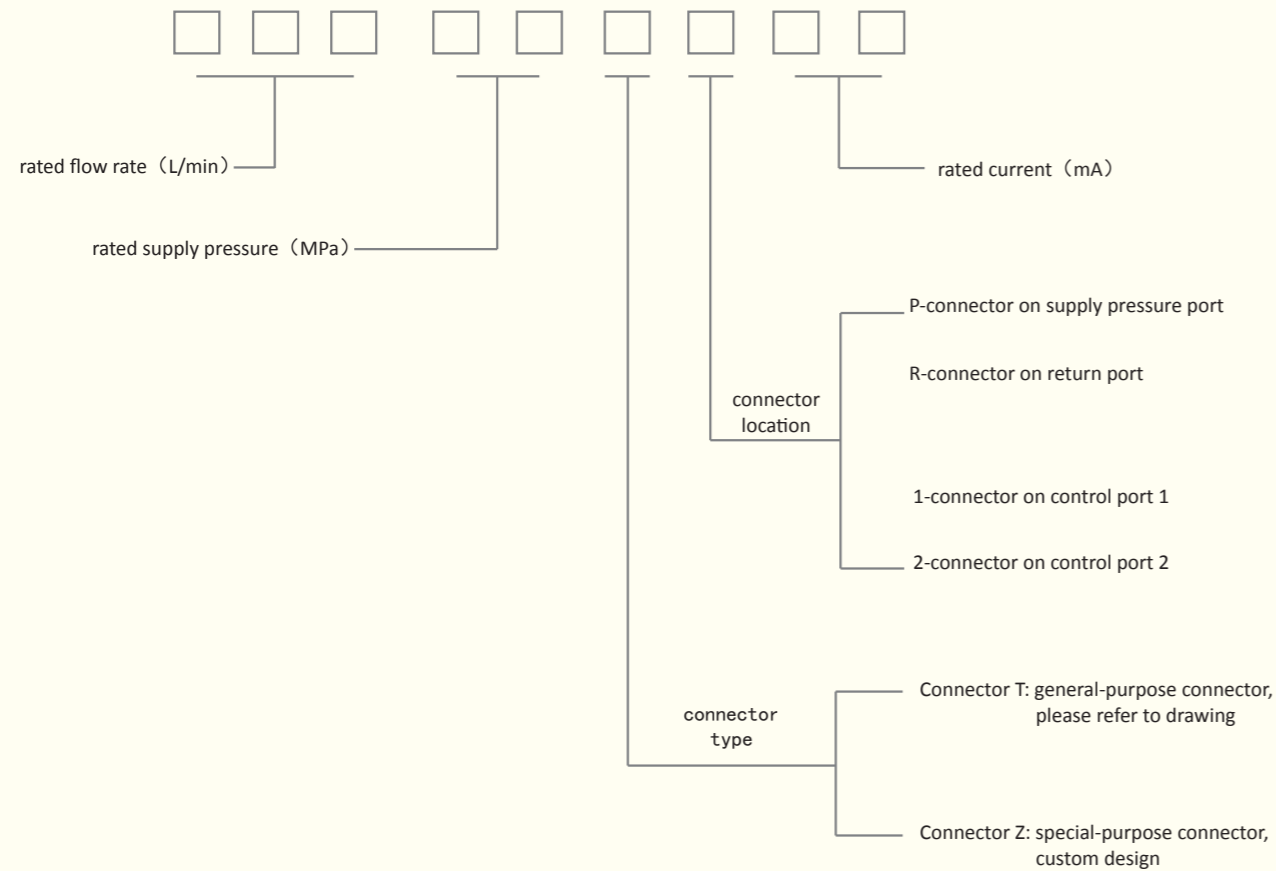


inch

	P	1	R	2	G	F1	F2	F3	F4
	Φ0.35	Φ0.35	Φ0.35	Φ0.35	Φ0.1	M6	M6	M6	M6
x	0.98	1.48	0.98	0.49	0.28	0	0	1.97	1.97
y	1.36	0.87	0.37	0.87	0.28	0	1.73	1.73	0

Spare parts and accessories

O ring (included in standard delivery)	NBR75 Shore	FPM 75 Shore
for P, R, 1, 2	4 pieces, ID0.47×Φ0.08	5080, 5176S F370, F275
Mating connector	It is available in XK11J4Z/E.	
Installation bolt (included in standard delivery)	Bolt for bottom 4 pieces, M6×24 ISO 4762-10.9	
Replaceable filter	for pilot stage, installed before orifice $\beta_{35} \geq 75$ (corresponding to filtration 35μm absolute)	



For example part NO.06321TP15 means rated flow 63L/min, rated supply pressure 21MPa, standard connector is at the side of port p, rated current 15 mA.

Custom design is also available in terms of rated flow, rated current, coil resistance, rated supply pressure, envelope and connector.

For standard EHSV, standard connector is used and installation direction is at the side of control port 2.

ENTERPRISE PROFILE

AVIC Nanjing Servo Control System Co., Ltd, a subsidiary of Nanjing Engineering Institute Of Aircraft Systems(former AVIC 609 Research Institute), is the national leader in the research and development, manufacture of electro-hydraulic servo valves(EHSV in short) with the longest history(since 1968), the largest size and the most advanced level in China. AVIC also has invested in the company. Our company is mainly engaged in the research and development, manufacture, test and delivery and repairs of EHSV and also has the ability to develop servo systems and non-standard equipment for industrial applications.

We have a staff of over 200 people with 29 of them being engineers or senior engineers and 51 being senior technicians. Our factory covers an area of 10000 m² and our lab covers an area of 4000 m². We have over 300 sets of equipment and machines, with fixed assets valued at USD 25 million. We are the only one in China to carry out performance test and environment test and validation with working fluid of mineral based hydraulic fuel, phosphate fuel and fuel.

Our EHSV are widely used in aeronautics, space, navigation, metallurgy, machine manufacture, geological exploration, construction machines and all kinds of test equipment. In aeronautics applications, EHSV are used in rudder actuation system, front wheel control system, inlet control system, electronic anti-skid system, radar servo system, cargo door retraction system, engine digital control system, APS and APU.

Our product line covers over 200 models, including force-feedback single stage servo valve, nozzle-flapper two stage servo valve, jet pipe EHSV (jet pipe and jet deflector type), DDV and RDDV, combined control valve, electro-magnetic hydraulic lock, pressure-reducing valve, hydraulic pump, servo amplifier and EHSV static and dynamic test bench. EHSV's working fluid covers mineral based hydraulic fuel, phosphate fuel and fuel.

We are also the national leader in terms of EHSV performance test and environment test and validation using hydraulic fluid and fuel. Our test bench includes static and dynamic test, high and low temperature, vibration and shock, temperature-altitude environment test. Temperature test bench can go as far as fluid temperature: -55°C~+150°C, environment temperature: -55°C~+250°C.



Now we are setting 2 national military standards and one industrial standard. We have 28 technical patents covering EHSV design, measurement and process and test method for whole valve and parts. We also have state of art equipment for hydraulic grinding, deburring etc.

AVIC Nanjing Servo Control System Co. boasts itself in its complete quality management system, advanced manufacture and development level. We are the national leader working towards the digitization, intelligization and high pressuration of EHSV. We will strive to keep our clients happy.